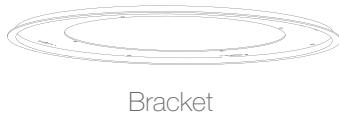
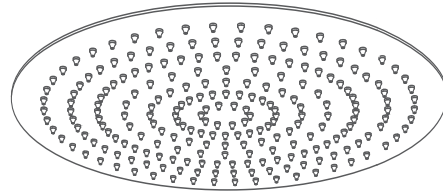
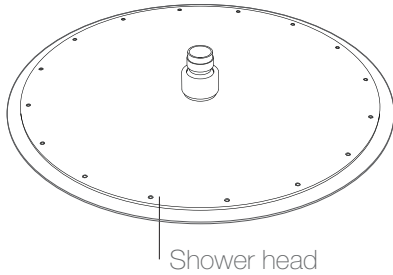


GEN/ROUND
BUILT-IN
QUICK
GUIDE BOOK

Gen Description

Check all the parts with the following parts list



RB380
 RB430



Bolt



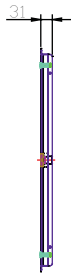
Ring



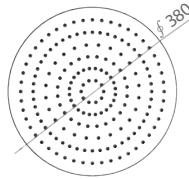
Wire

X3
 X4

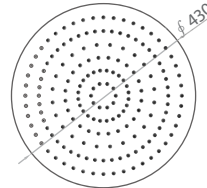
Dimension



Bracket



RB380.002.CR



RB430.002.CR

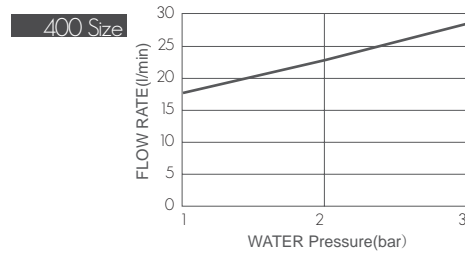
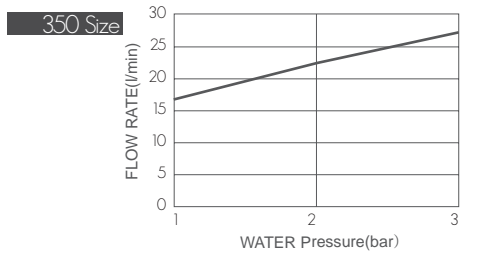
Gen&Round built-in

• Code	RB380.002.CR	RB430.002.CR
• Size	380X380mm	430X430mm
• Finish	Cr painting	
• Orgin	JoeyforLife/Korea	

Flow Rate

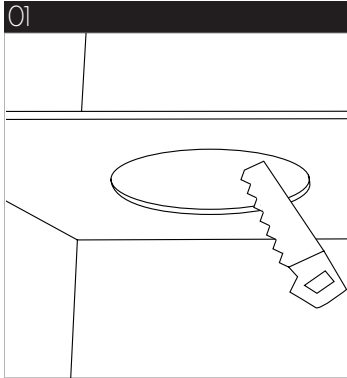
water pressure	350size	400size
1 bar	17.4	17.5
2 bar	22.5	22.9
3 bar	27	28.6

* Direct Connection Without tap

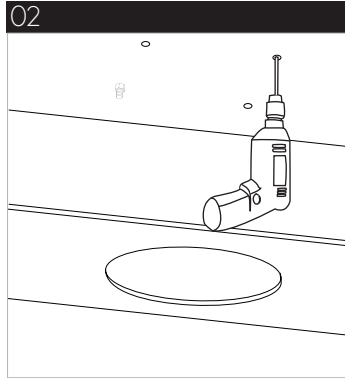


Installation

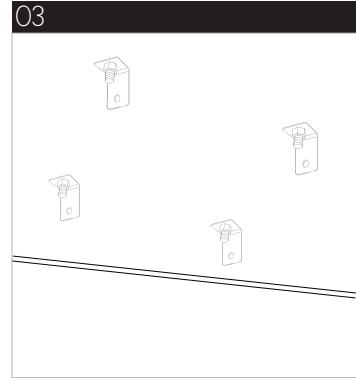
STEP1 _ Bracket



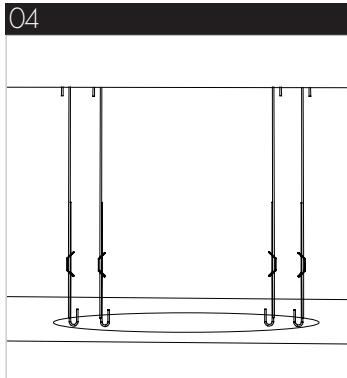
Cut the ceiling to install bracket.
-RB380.002.CR:Ø352
-RB430.002.CR:Ø402



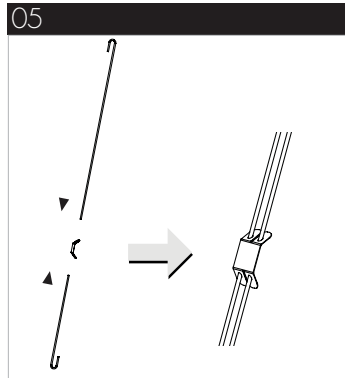
Drill the upper ceiling Ø12 for anchor bolts
-RB380.002.CR: 3holes for triangle(three sides 280mm)
-RB430.002.CR: 4holes for square(260 mm)



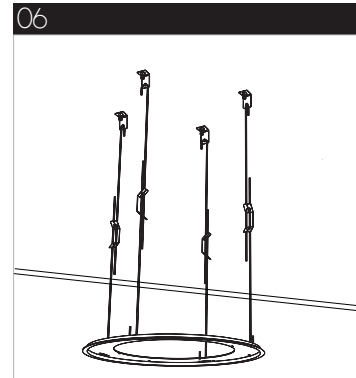
Insert the anchor bolts



Connect rings to the bolts



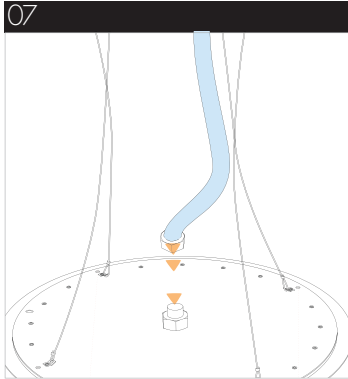
Adjust the lengths of rings



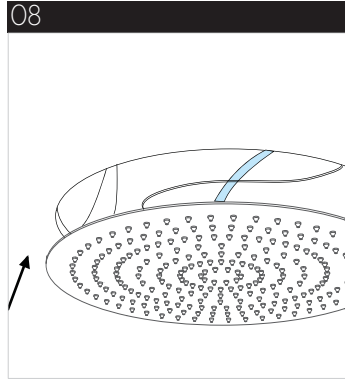
Hang the bracket to the rings

Installation2

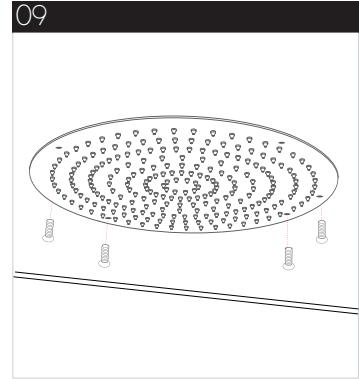
STEP2 _ Head Shower



Connect water supply hose to the shower head



Push the shower head to the bracket



Fix the shower head with bolt

Cautions

- Avoid too much force for operation.
- Keep the hand hold shower on the shower arm.
- The recommended water pressure is over $2\text{kg}^2/\text{cm}^2$
- Clean the products with right materials
- Do not dismantle the products without manual